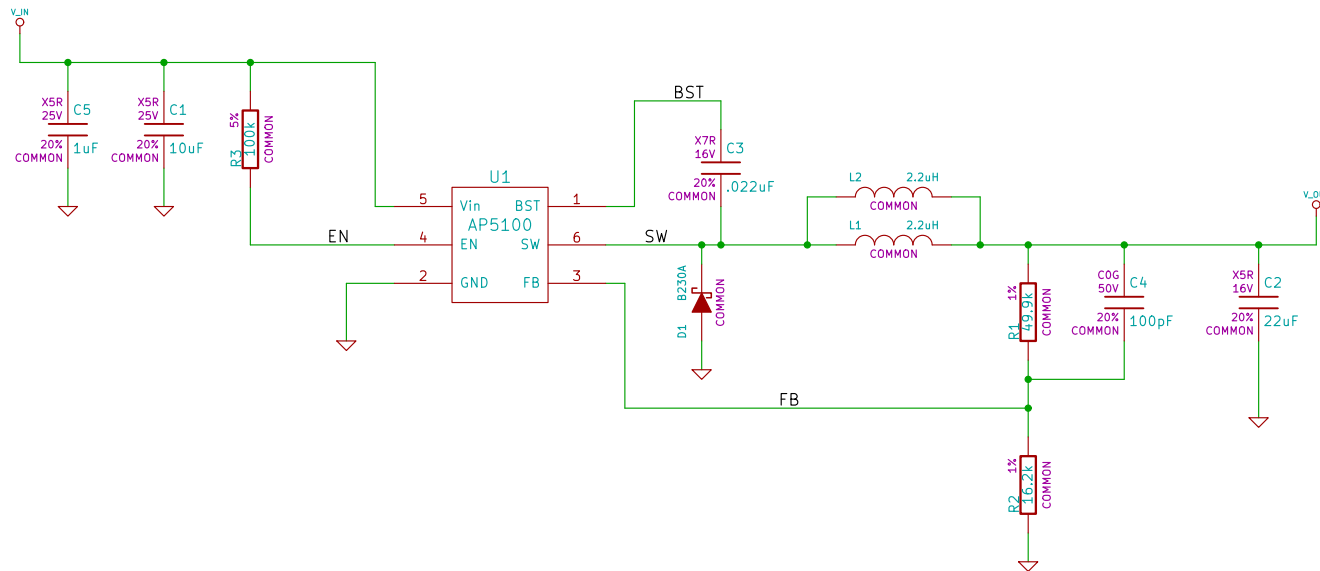


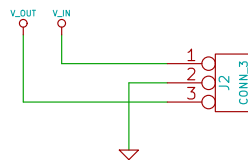
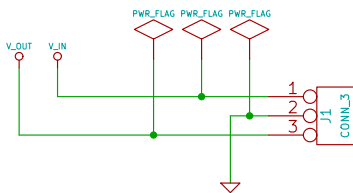
AP5100  
 Vin = 4.75 to 24V  
 Iout = 1.2A MAX  
 Fs = 1.4MHz  
 Vout = 0.81 to 15V



$$V_{out} = 0.81 * ((R1 + R2) / R2)$$

$$R2 = (0.81 * R1) / (V_{out} - 0.81)$$

Vout	R1	R2
1.8	80.6k	64.9k
2.5	49.9k	23.7k
3.3	49.9k	16.2k
5	49.9k	9.53k
9	49.9k	4.99k
12	49.9k	3.6k
15	49.9k	2.87k



<b>GGLABS</b>		
File: g78xxhe.sch		
Sheet: /		
<b>Title: G78xxHE - AP5100 DC-DC converter</b>		
Size: A4	Date: 13 jul 2012	Rev: A00
KiCad E.D.A.		Id: 1/1