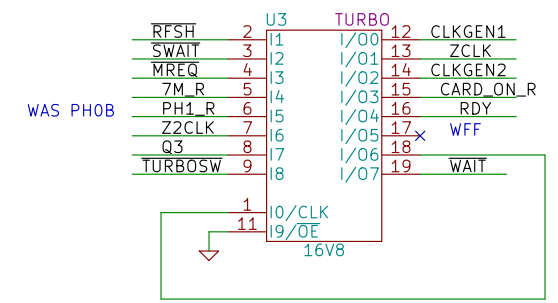
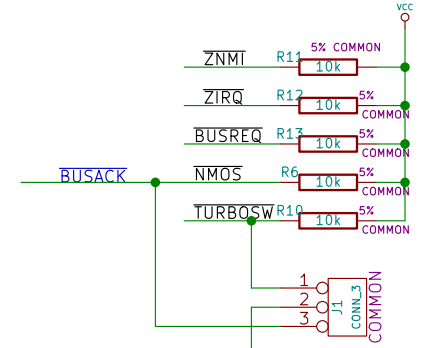
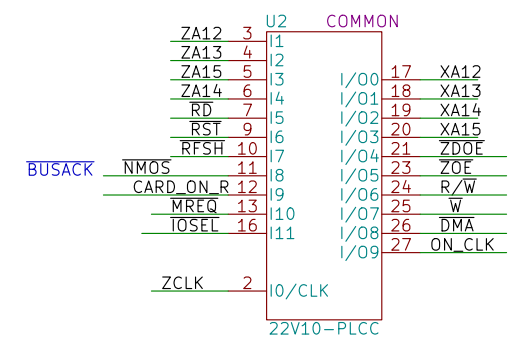
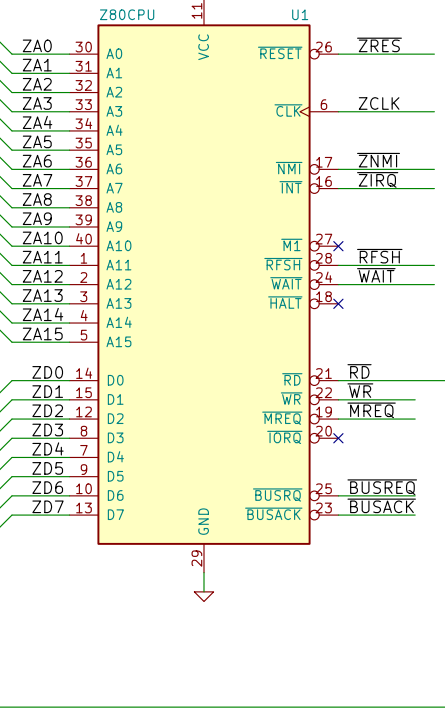
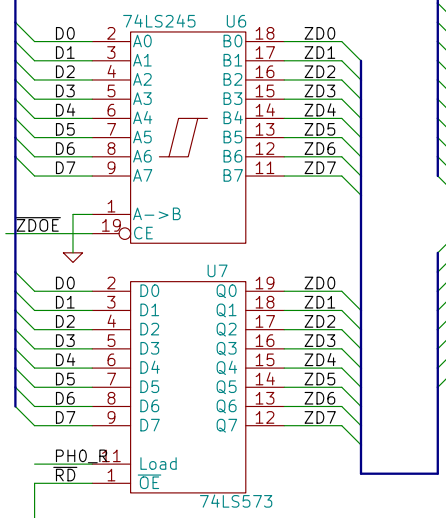
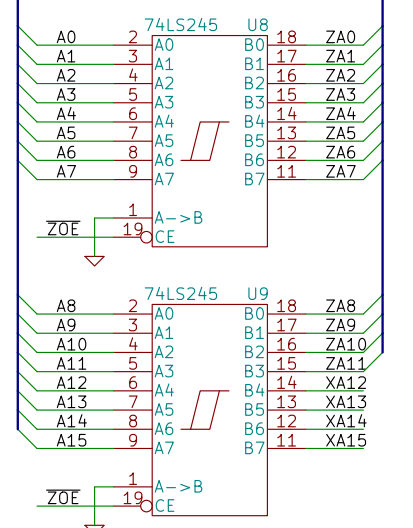
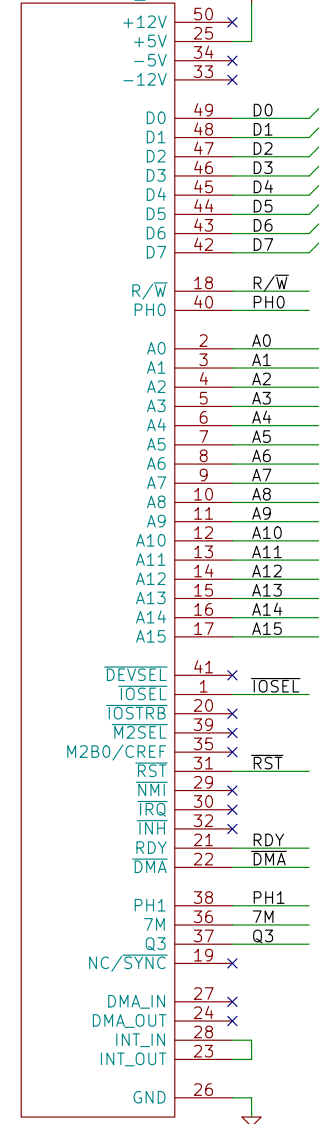


BUSAPPLE2_SLOT



can this be just a short even for the regular design?
 For bufferless this signal is ZOE not ZOE# this makes the polarity the same as CARD_ON

