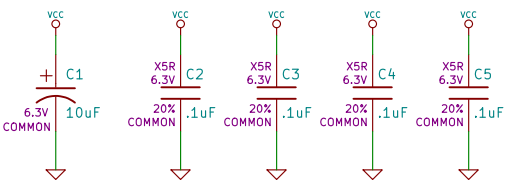
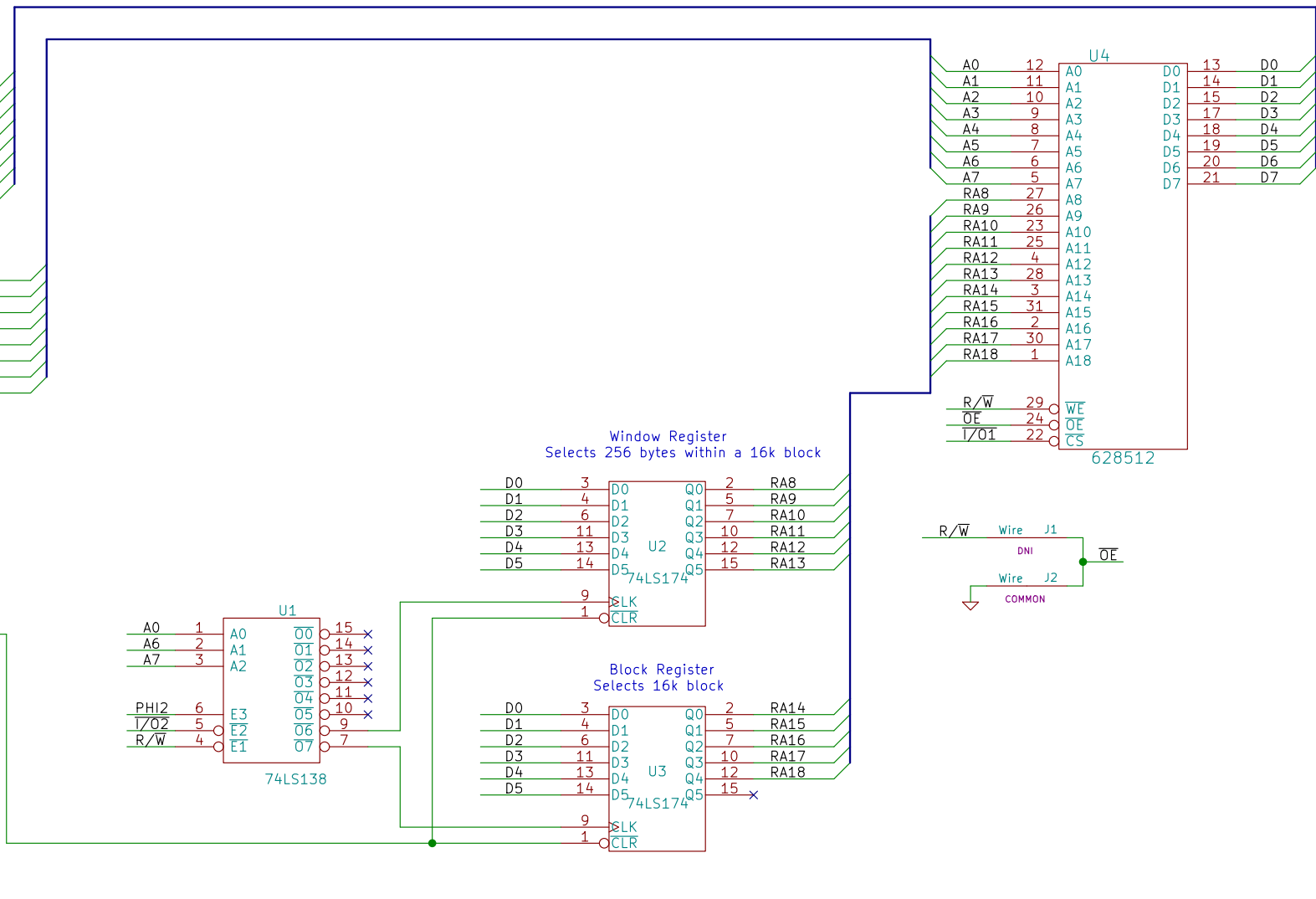
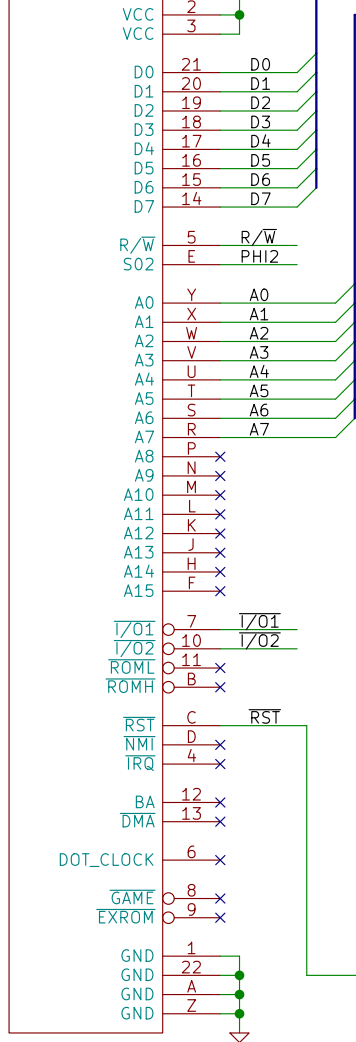


BUS1 C64 CART



<b>GGLABS</b>		Sheet: /
		File: ggram.sch
<b>GRAM512 - Commodore 64/128 Georam Clone</b>		
Size: A4	Date: Sat 02 May 2015	Rev: A00
KiCad E.D.A. kicad 4.0.5+dfsg1-4bpo8+1		Id: 1/1