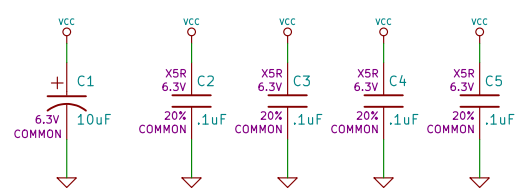
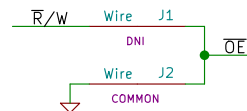
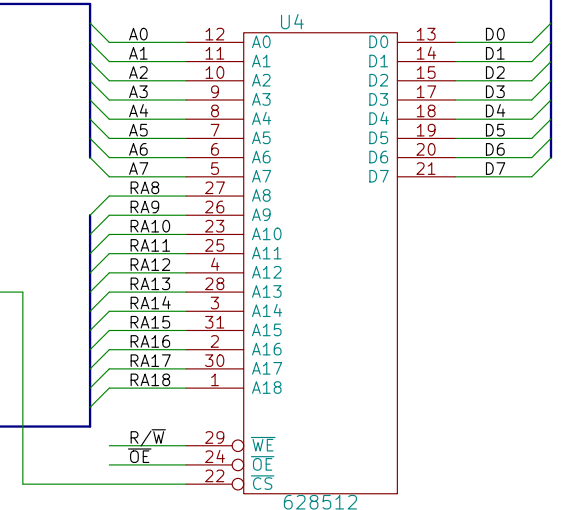
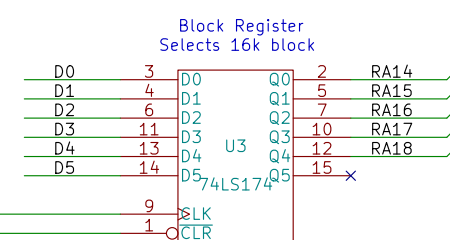
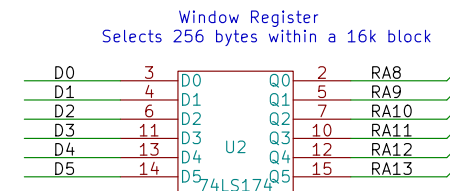
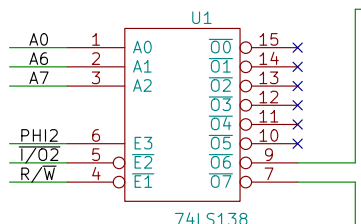
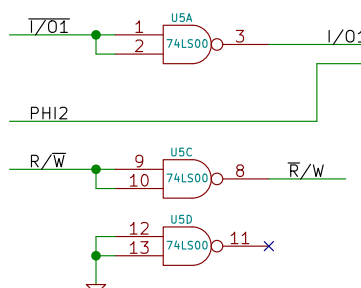
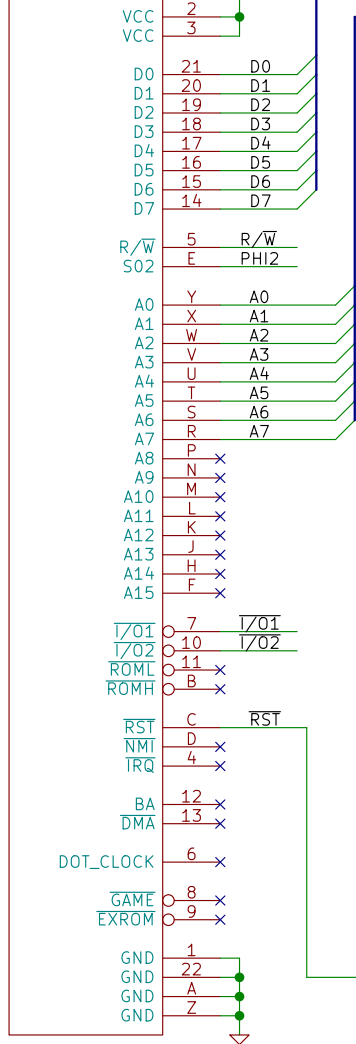


BUS1 C64_CART



GGLABS		Sheet: /
		File: ggram.sch
GRAM512 - Commodore 64/128 Georam Clone		
Size: A4	Date: 2017-08-26	Rev: A01
KiCad E.D.A. kicad 4.0.2+dfsg1-2bpo8+1-stable		Id: 1/1