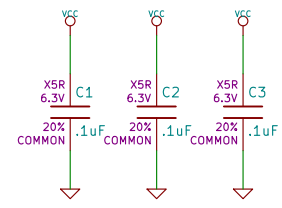
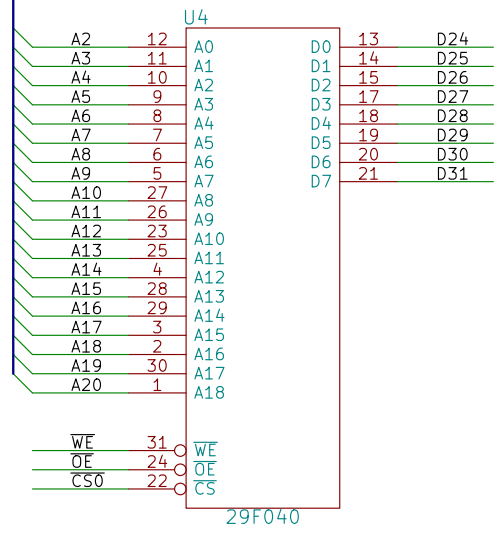
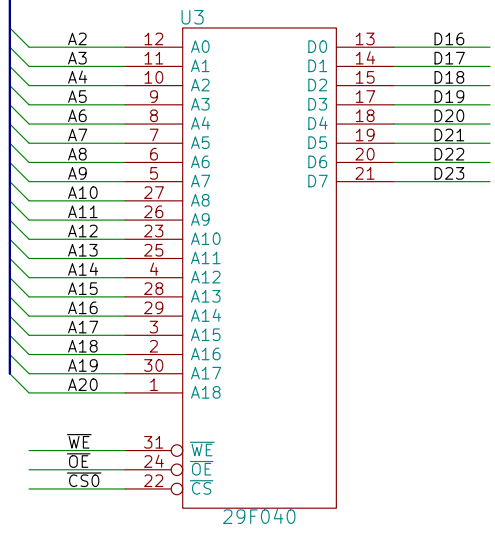
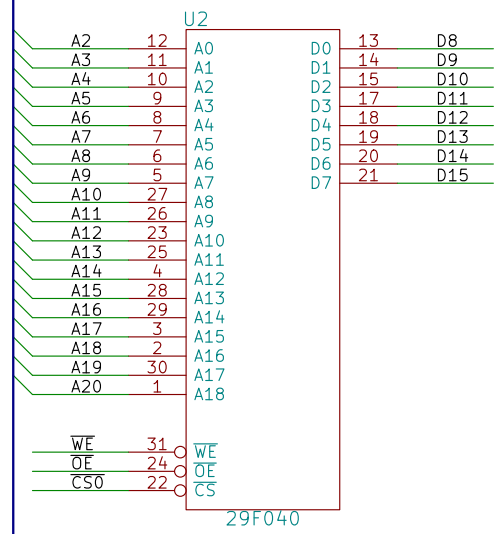
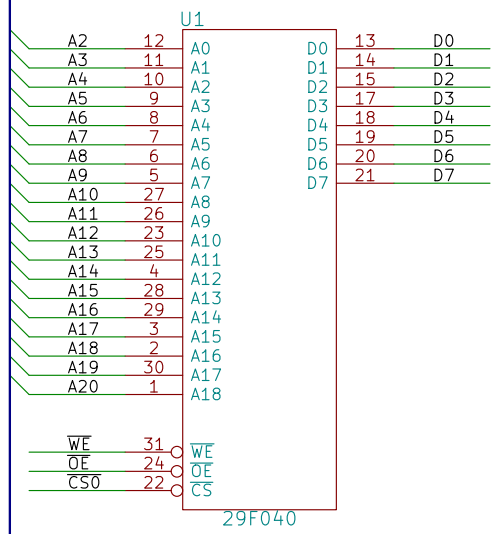
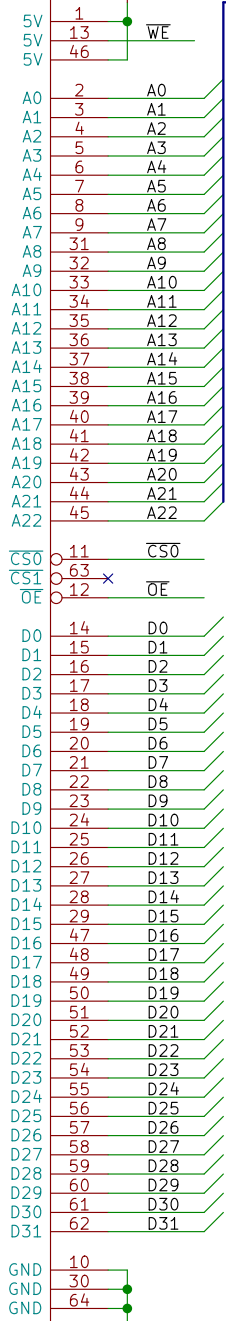


J1 MAC_ROM_SIMM



Sheet: /
File: macsim.sch
MACSIMM - Apple Macintosh ROM SIMM

Size: A4 Date: 2016-05-01 Rev: B00
KiCad E.D.A. kicad 4.0.2+dfsg1-2bpo8+1-stable Id: 1/1