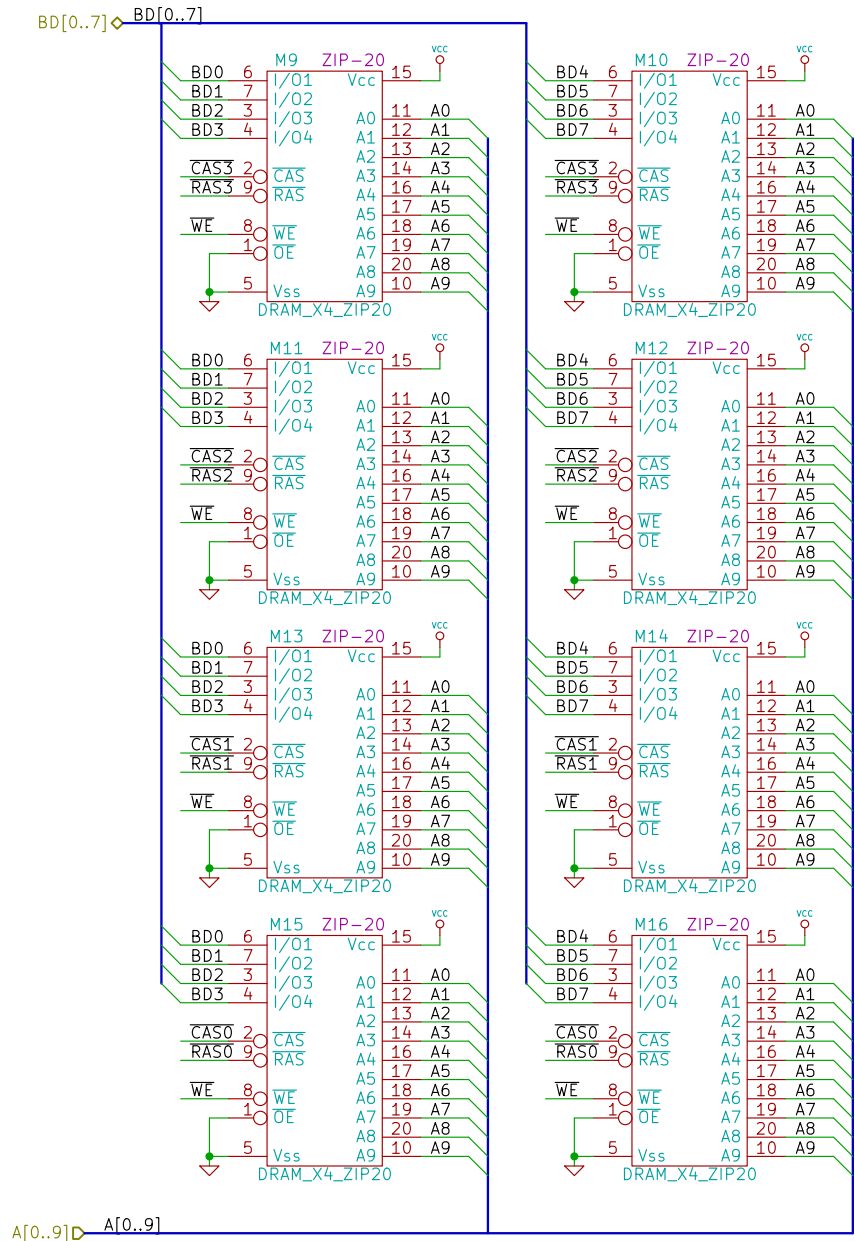
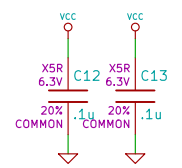
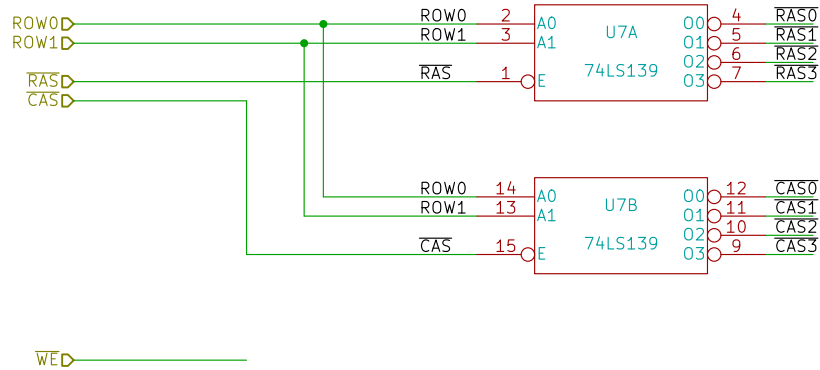
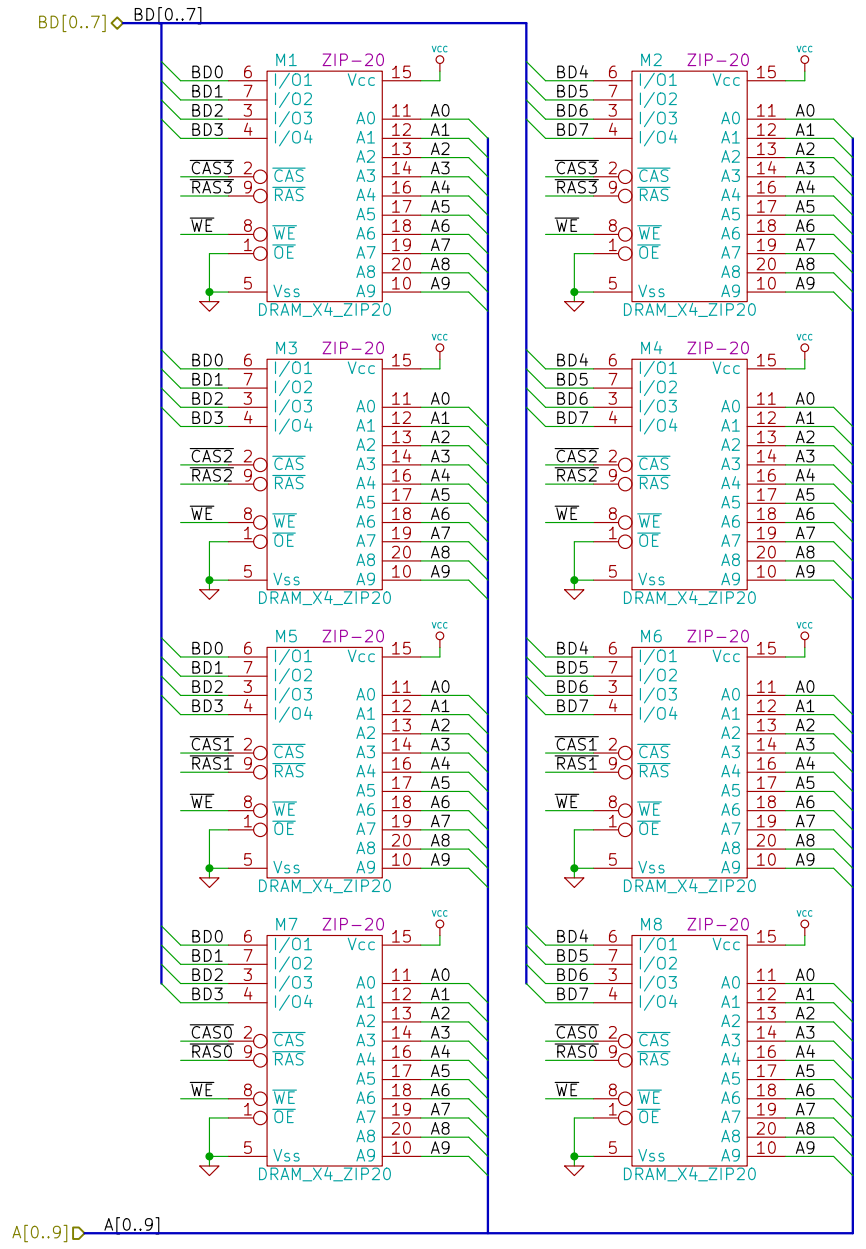
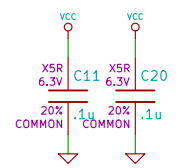
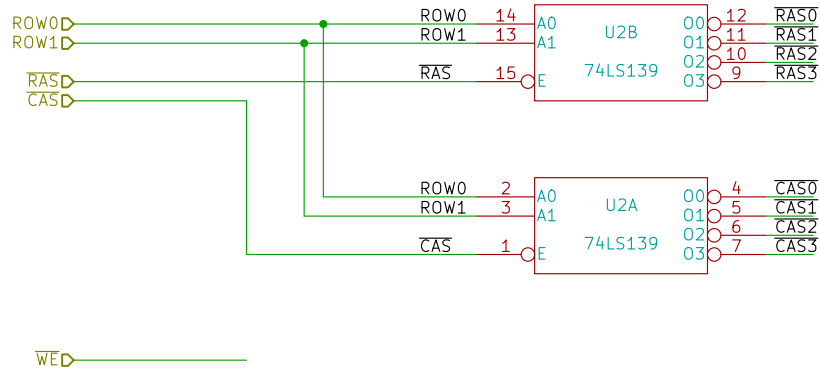


<b>GGLABS</b>		
File: ramgs-max.sch		
Sheet: /		
Title: RAMGS-MAX BMB Apple IIGS Memory Expansion		
Size: A4	Date: 7 nov 2014	Rev: A00
KiCad E.D.A.		Id: 1/3



<b>GGLABS</b>		
File: ram_bank.sch		
Sheet: /bank1/		
Title: RAMGS Apple IIgs Memory Expansion		
Size: A4	Date: 7 nov 2014	Rev: A01
KiCad E.D.A.		Id: 2/3



A[0..9] D A[0..9]

GGLABS		
File: ram_bank.sch		
Sheet: /bank0/		
Title: RAMGS Apple IIgs Memory Expansion		
Size: A4	Date: 7 nov 2014	Rev: A01
KiCad E.D.A.		Id: 3/3