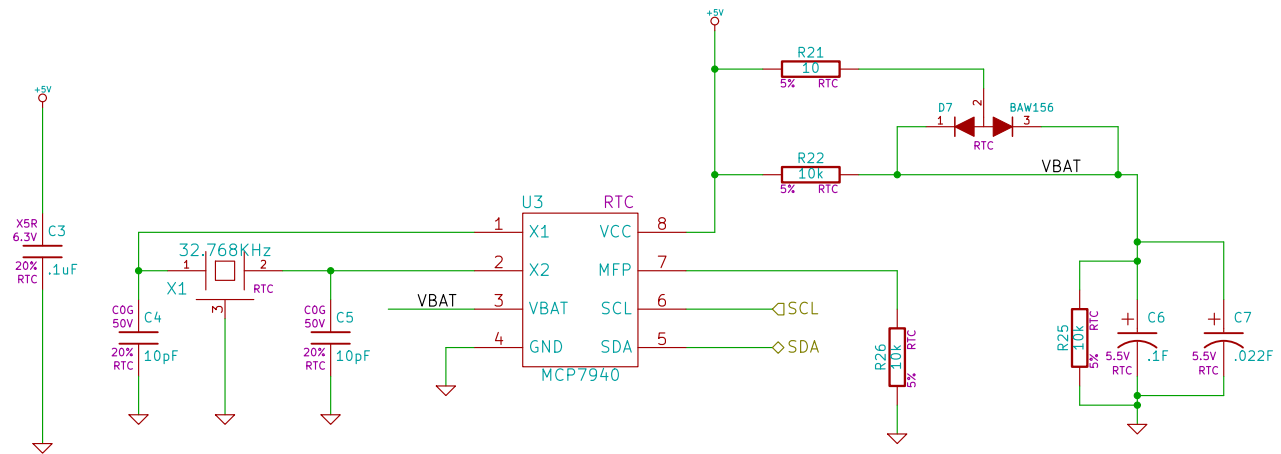
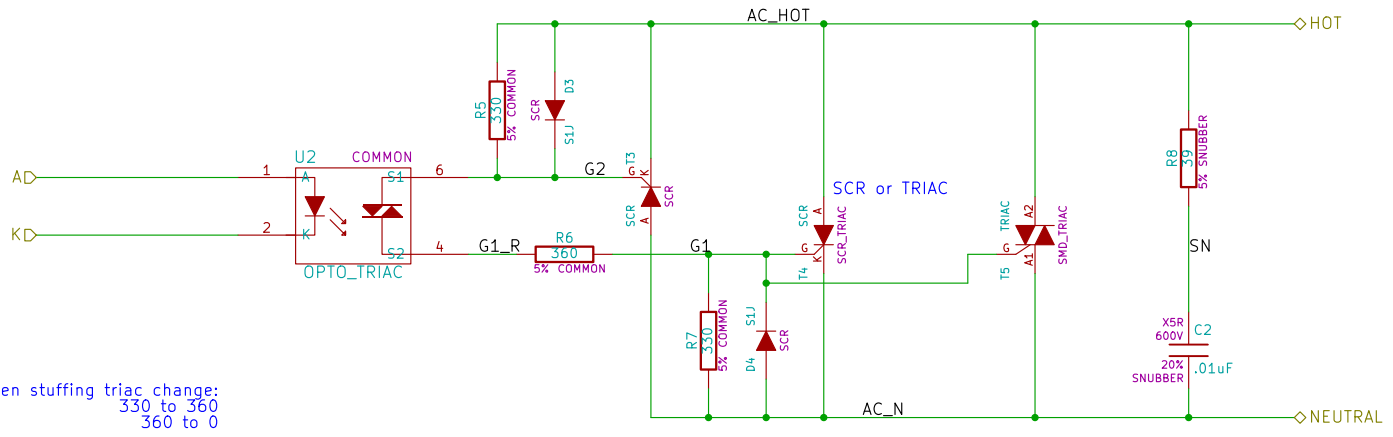


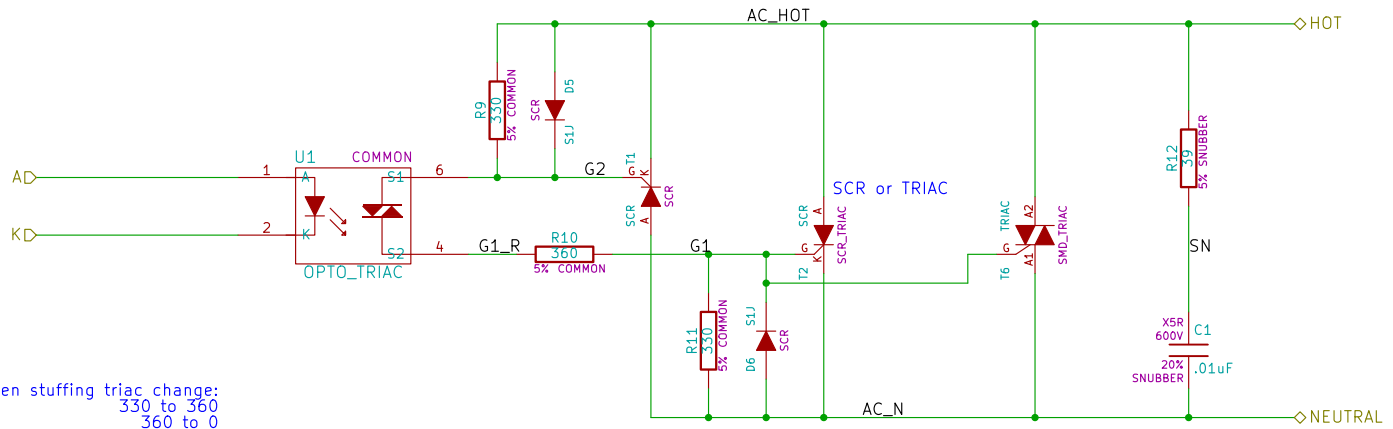
| | | |
|----------------|--------------------------|-------------|
| File: ssr1.sch | | |
| Sheet: / | | |
| Title: | | |
| Size: A4 | Date: 17 apr 2013 | Rev: |
| KiCad E.D.A. | | Id: 1/4 |



| | | |
|---------------|--------------------------|-------------|
| File: rtc.sch | | |
| Sheet: /rtc/ | | |
| Title: | | |
| Size: A4 | Date: 17 apr 2013 | Rev: |
| KiCad E.D.A. | | Id: 2/4 |



| | | |
|---------------------|--------------------------|-------------|
| File: optopower.sch | | |
| Sheet: /ch0/ | | |
| Title: | | |
| Size: A4 | Date: 17 apr 2013 | Rev: |
| KiCad E.D.A. | | Id: 3/4 |



When stuffing triac change:
 330 to 360
 360 to 0

| | | |
|---------------------|--------------------------|-------------|
| File: optopower.sch | | |
| Sheet: /ch1/ | | |
| Title: | | |
| Size: A4 | Date: 17 apr 2013 | Rev: |
| KiCad E.D.A. | | Id: 4/4 |