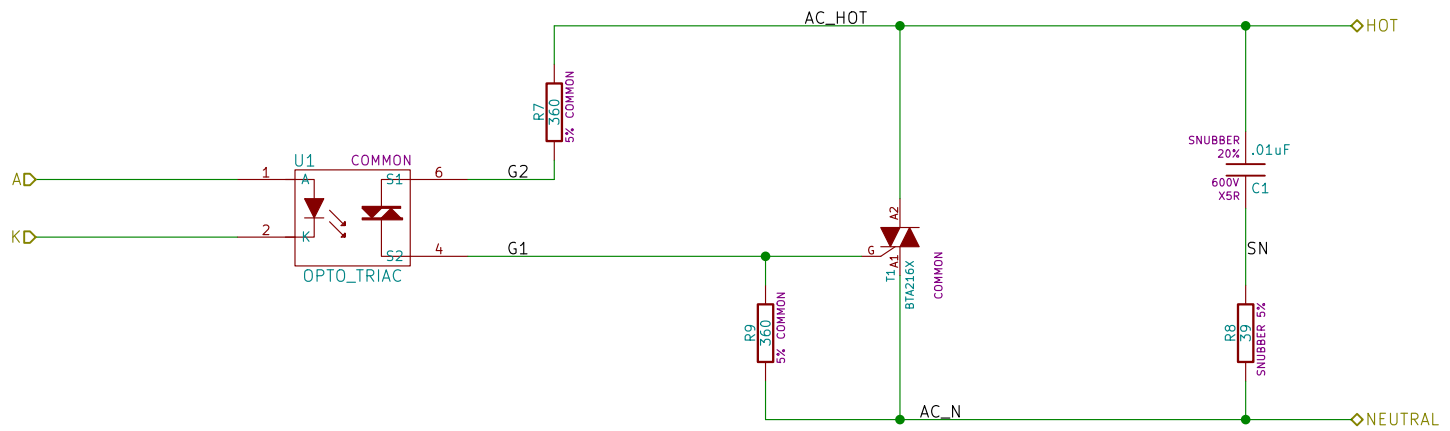


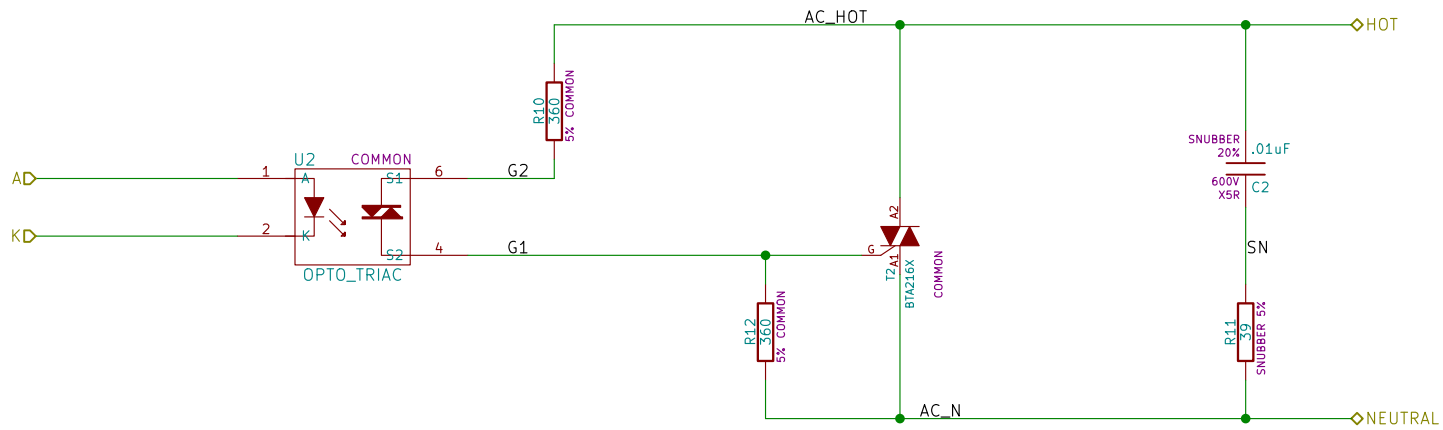
Sheet: /
File: ssr1.sch

Size: A4	Date: 2019-08-29	Rev:
KiCad E.D.A. kicad 5.0.2+dfsg1-1		Id: 1/3



Sheet: /ch0/
File: optopower.sch

Size: A4 Date: 1 dec 2013 Rev:
KiCad E.D.A. kicad 5.0.2+dfsg1-1 Id: 2/3



Sheet: /ch1/
File: optopower.sch

Size: A4

Date: 1 dec 2013

Rev:

KiCad E.D.A. kicad 5.0.2+dfsg1-1

Id: 3/3