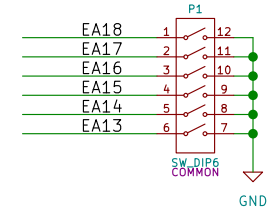
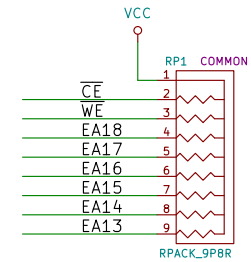
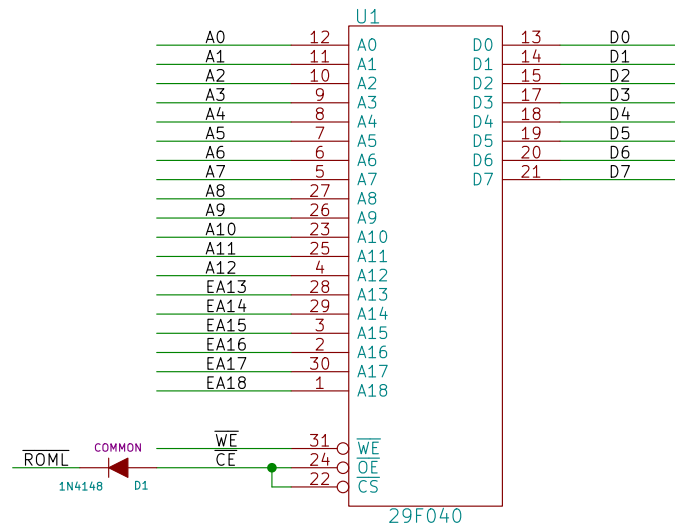
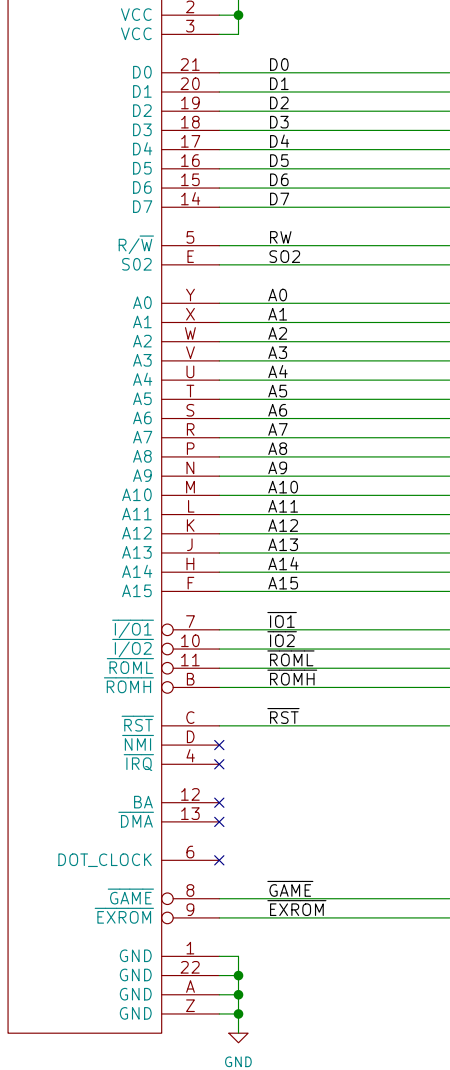
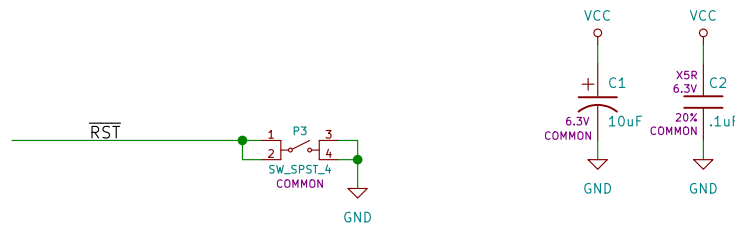
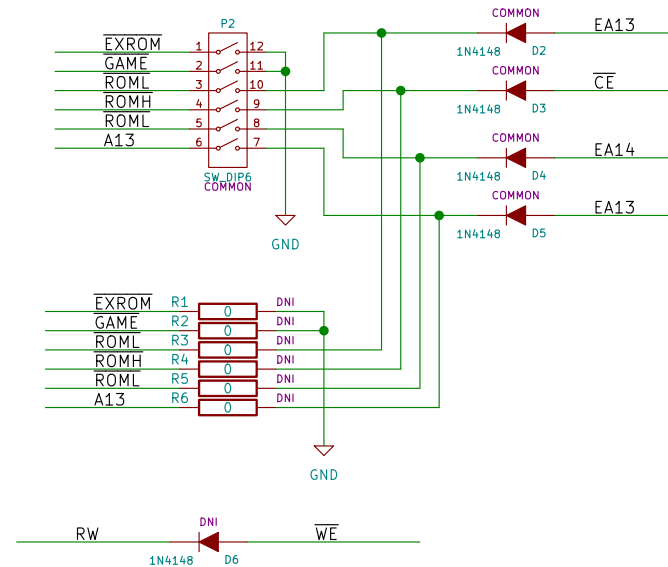


BUS1 C64_CART



	C64			C128		
	8K	16K	UM	16K	32K	
EXROM	ON	ON	OFF	OFF	OFF	
GAME	OFF	ON	ON	OFF	OFF	
ROML13	OFF	ON	ON	OFF	OFF	
ROMH	OFF	ON	ON	OFF	ON	
ROML14	OFF	OFF	OFF	OFF	ON	
A13	OFF	OFF	OFF	ON	ON	



Sheet: /
File: ucart.sch

UNICART - Universal C64/128 Cart

Size: A4 Date: 2019-04-14
KiCad E.D.A. kicad 5.0.2+dfsg1-1

Rev: A01
Id: 1/1