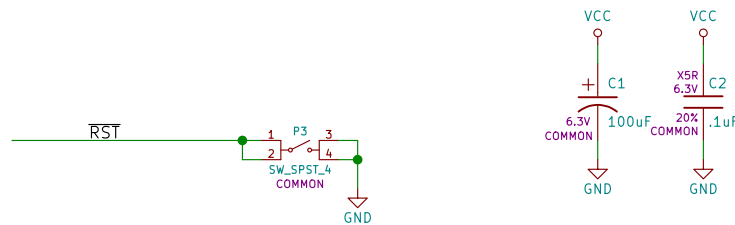
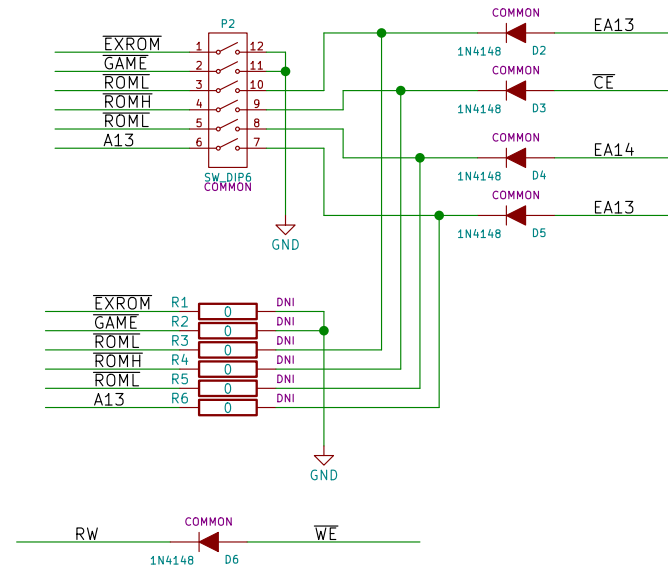
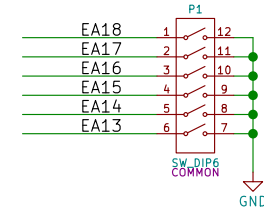
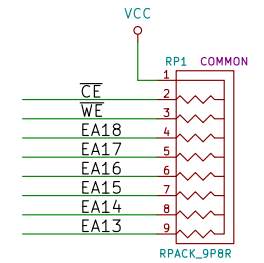


	C64			C128		
EXROM	8K	16K	UM	16K	32K	
GAME	ON	ON	OFF	OFF	OFF	
ROML13	OFF	ON	ON	OFF	OFF	
ROMH	OFF	ON	ON	OFF	ON	
ROML14	OFF	OFF	OFF	OFF	ON	
ROML13	OFF	OFF	OFF	ON	ON	



Sheet: /
File: ucart.sch
UNICART/D - Universal C64/128 Cart

Size: A4 Date: 2019-03-12
KiCad E.D.A. kicad 4.0.5+dfsg1-4

Rev: B00
Id: 1/1