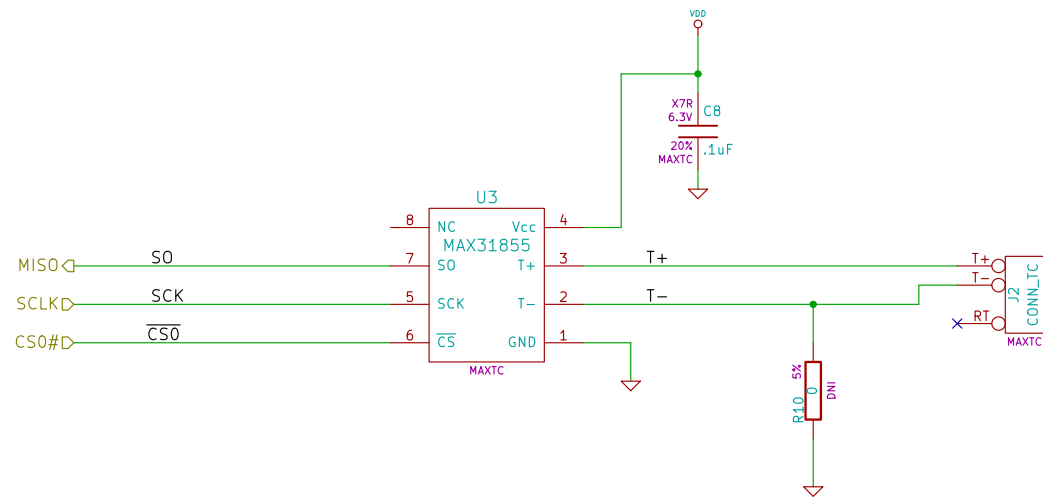
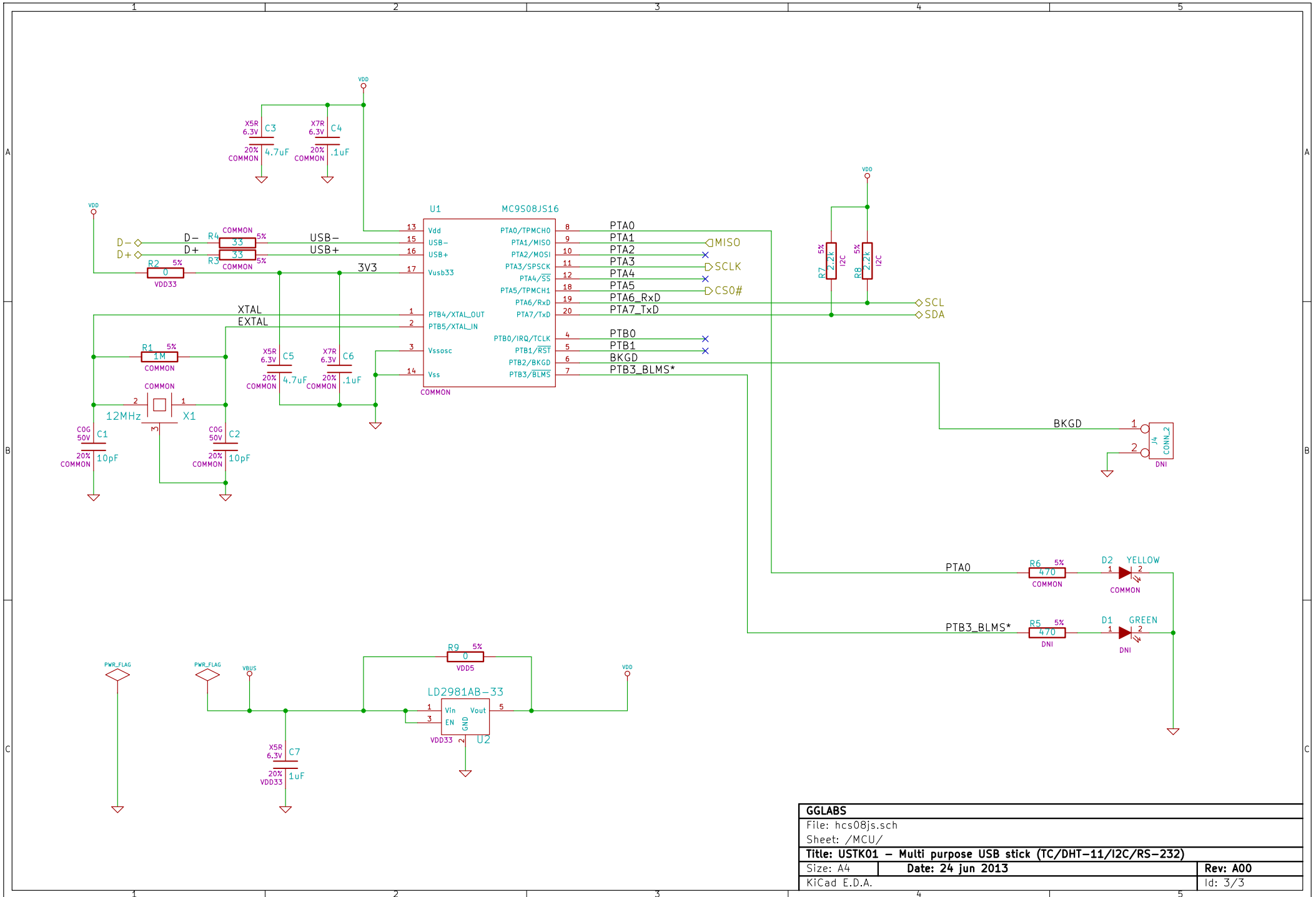


<b>GGLABS</b>	
File: ustk-tc.sch	
Sheet: /	
<b>Title: USTK01 - Multi purpose USB stick (TC/DHT/I2C/RS-232)</b>	
Size: A4	<b>Date: 24 jun 2013</b>
KiCad E.D.A.	<b>Rev: A00</b>
	Id: 1/3



<b>GGLABS</b>		
File: max-tc.sch		
Sheet: /MAX31855/		
<b>Title: USTK01 - Multi purpose USB stick (TC/DHT-11/I2C/RS-232)</b>		
Size: A4	<b>Date: 24 jun 2013</b>	<b>Rev: A00</b>
KiCad E.D.A.		Id: 2/3



<b>GGLABS</b>		
File: hcs08js.sch		
Sheet: /MCU/		
<b>Title: USTK01 - Multi purpose USB stick (TC/DHT-11/I2C/RS-232)</b>		
Size: A4	Date: 24 jun 2013	Rev: A00
KiCad E.D.A.		Id: 3/3